



SINCE 1978
APEX CONNECTOR

APEX WATER PROOF CONNECTOR



IP65 IP67 IP68

M Series Order Information

M8 Series



M-61 Series



M Series Order Information

	IP67	M-61 ❖ RA	9
	IP67	M-61 ❖ RL	9
	IP67	M-61 ❖ A	9
	IP67	M-61 ❖ DL	9
	IP67	M-61 ❖ E	9

M-12 Series



	IP67	M-D62 ❖ E D-CODE	10
---	-------------	---------------------	----

SHELL: ZINC DIE-CASTING
(鋅合金壓鑄)

	IP67	M12 Series Straight Cable Ass'y	M-62 ❖ PFL	11
	IP67	M12 Series Straight Cable Ass'y	M-62 ❖ PML	11
	IP67	M12 Series Straight Cable Ass'y	M-62 ❖ PFGL	11
	IP67	M12 Series Straight Cable Ass'y	M-62 ❖ PMGL	11
	IP67	M12 Series Straight Cable Ass'y	M-62 ❖ PF	11
	IP67	M12 Series Straight Cable Ass'y	M-62 ❖ PM	11
	IP67	M12 Series Right Angle Cable Ass'y	M-62 ❖ LPFL	12
	IP67	M12 Series Right Angle Cable Ass'y	M-62 ❖ LPML	12

M Series Order Information

	<p>IP67</p> <p>M12 Series Right Angle Cable Ass'y</p> <p>M-62 ❖ A-LPFL</p>	12
	<p>IP67</p> <p>M12 Series Right Angle Cable Ass'y</p> <p>M-62 ❖ A-LPML</p>	12
	<p>IP67</p> <p>M12 Series Receptacle Female</p> <p>M-62 ❖ -RF</p>	13
	<p>IP67</p> <p>M12 Series Receptacle Female</p> <p>M-62 ❖ -RFA</p>	13
	<p>IP67</p> <p>M12 Series Receptacle Female</p> <p>M-62 ❖ -RFB</p>	13
	<p>IP67</p> <p>M12 Series Receptacle Female</p> <p>M-62 ❖ -RFC</p>	13
	<p>M12 Series Receptacle Female</p> <p>M-62 ❖ A-GP</p>	14
	<p>IP67</p> <p>M12 Series Receptacle Male</p> <p>M-62 ❖ RM</p>	14
	<p>IP67</p> <p>M12 Series Receptacle Male</p> <p>M-62 ❖ RMA</p>	13
	<p>IP67</p> <p>M12 Series Receptacle Male</p> <p>M-62 ❖ RMB</p>	13
	<p>IP67</p> <p>M12 Series Receptacle Male</p> <p>M-62 ❖ RMC</p>	14
	<p>IP67</p> <p>M12 Series Receptacle Male</p> <p>M-62 ❖ RMD</p>	15
	<p>IP67</p> <p>M12 Series Receptacle Male</p> <p>M-62 ❖ RME</p>	15
	<p>IP67</p> <p>M12 Series Receptacle Male</p> <p>M-62 ❖ RMH</p>	15
	<p>IP67</p> <p>M12 Series Receptacle Male</p> <p>M-62 ❖ RMS</p> <p>SHELL: STAINLESS STEEL (不鏽鋼)</p>	15

M Series Order Information

	IP67	M-62 ❖ SP-PM-R	16
	IP67	M-62 ❖ SP-PF-R	16
	IP67	M-623T5-AD-R	17

PQT

654 Series

	IP67	WA-782A-R	18
	IP67	M-654-RFO	18
	IP67	M-655-RM	18

WPS Series Order Information

WPS Series

	IP67	WPS-2407-LF WPS-2407-SM	20
	IP67	WPS-2407-LM WPS-2407-SF	20

WPM Series

	IP67	WPM06B-9-16S	21
	IP67	WPM06B-9-16P	21

WPM Series Order Information

 IP67	WPM16A11-6PL	22
---	--------------	----

 IP67	WPM16A11-6R	22
--	-------------	----

 IP67	WPM16C12- ❖ S WPM16C12- ❖ P	23
---	--------------------------------	----

 IP67	WPM-19 ❖ -PM WPM-19 ❖ -PF WPM-19 ❖ -RF WPM-19 ❖ -RM	24
---	--	----

 IP67	WPM-19 ❖ -SPF WPM-19 ❖ -SPM	25
---	--------------------------------	----

 IP67	WPM-20 ❖ -PM WPM-20 ❖ -PF WPM-20 ❖ -RF WPM-20 ❖ -RM	26
---	--	----

 IP67	WPM-20 ❖ -SPF WPM-20 ❖ -SPM	27
--	--------------------------------	----

 IP67	WPM-21 ❖ -RF	28
--	--------------	----

 IP67	WPM-21 ❖ -PM	28
--	--------------	----

 IP68	WPM-21 ❖ -PL	29
SHELL: STAINLESS (不鏽鋼)		

WA Series



 IP67	WA-715A	30
--	---------	----

 IP67	WA-738A	31
--	---------	----

 IP67	WA-188A	31
--	---------	----

WA / PLP / PLS Series Order Information

PLP Series



	PLP-123-P9 (D-SUB)	32
---	------------------------------	----

	PLP-138P8A-R (RJ-45)	33
---	--------------------------------	----

	PLP-138R8A-R (RJ-45)	33
--	--------------------------------	----

	PLP-138AD8A-R (RJ-45)	34
---	---------------------------------	----

PLS Series



	PLS-28 ◆ -RMA	35
---	----------------------	----

SHELL: STAINLESS STEEL
(不鏽鋼)

	PLS-28 ◆ -PFA	35
--	----------------------	----

SHELL: STAINLESS STEEL
(不鏽鋼)

AMS Series



	AMS3102R	36
---	-----------------	----

	AMS3106M	36
--	-----------------	----

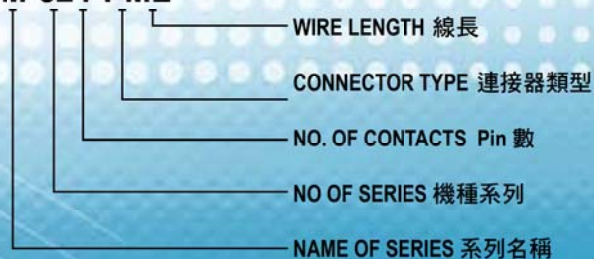
	AMS3108M	37
--	-----------------	----

M8/M61/M12 series



ORDERING INFORMATION

M-624-PML

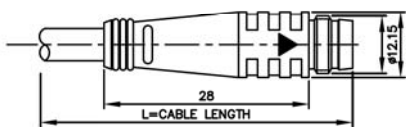


MATERIAL & FINISH

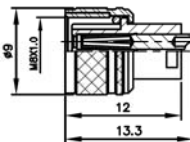
P:PLUG	R:Receptacle	F:Female	M:Male
插頭	插座	導梢	導針

Description	Material	Finish
Shell / 外殼 本體	* Brass / 銅 * Zinc Die-Casting / 鋅合金壓鑄 * Aluminum alloy / 鋁合金壓鑄	* Chrome-plated / 鉻電鍍 * Gold-plated / 金電鍍 * Nickle-plated / 鎳電鍍 * Silver-plated / 銀電鍍
Insulator / 絕緣體	* Bakelite / 電木 * Delrin / 塑鋼 * Nylon / 耐龍	
Contact / 接觸體	* Brass / 銅 * P.Brass / 磷銅 * B.Brass / 鈹銅	* Gold-plated / 金電鍍 * Silver-plated / 銀電鍍 * Nickle-plated / 鎳電鍍

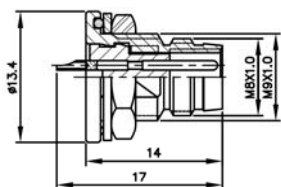
M-631/M-641/M642 ❖ -PML



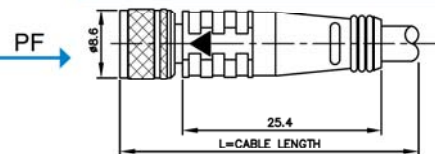
M-631/M-641/M642 ❖ -PF



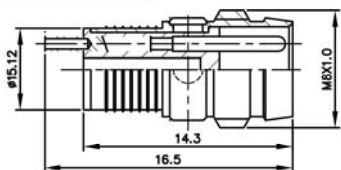
M-631/M-641/M642 ❖ -PMP



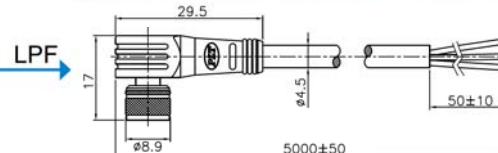
M-631/M-641/M642 ❖ -PFL



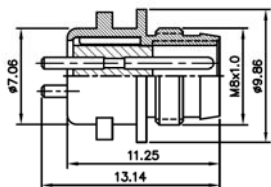
M-631/M-641/M642 ❖ -PM



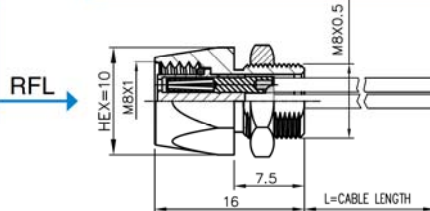
M-631/M-641/M642 ❖ -LPFL



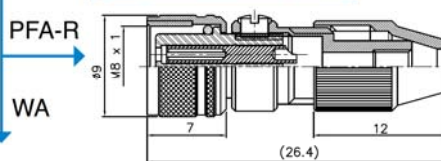
M-641 ❖ -RM



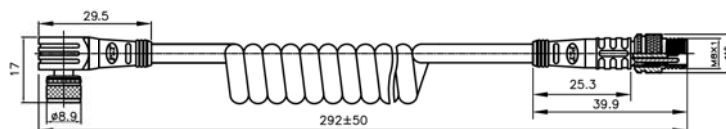
M-631/M-641/M642 ❖ -RFL



M641 ❖ -PFA-R



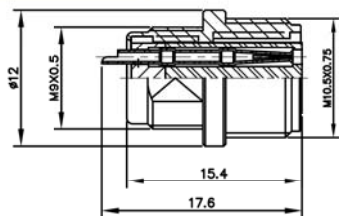
WA-637 A



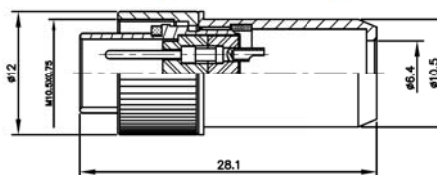
❖ No. of contacts 接點數目	3	4	4			
Contacts Configuration 接點方位						
Rated current / voltage 額定電流/電壓	1A 100V	1A 100V	1A 100V			
Insulation resistance (MΩ MIN.) at DC 500V 絕緣阻抗	300	300	300			
Contact resistance (mΩ MAX.) at DC 1A 接觸阻抗	3	3	3			
Solder inter diameter 焊孔內徑	1	1	1			



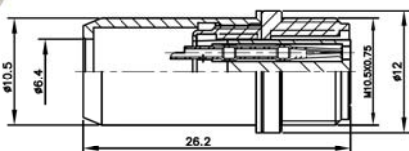
M-61 R



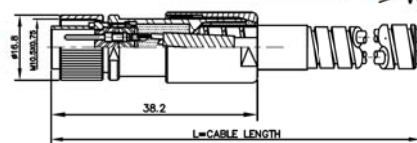
M-61 A



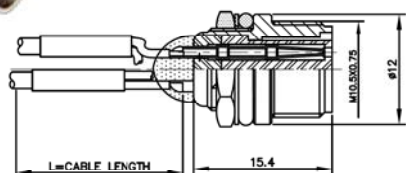
M-61 RA



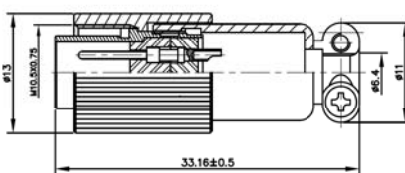
M-61 DL



M-61 RL



M-61 E

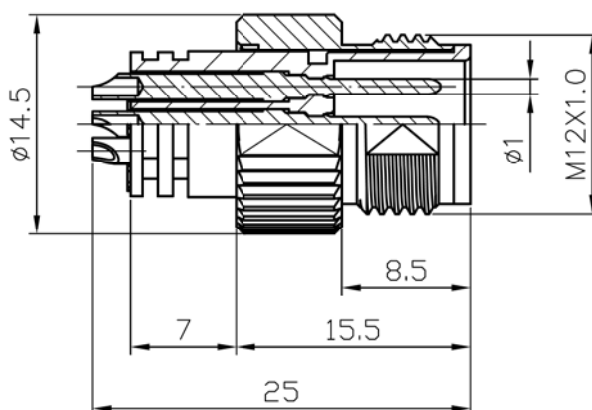
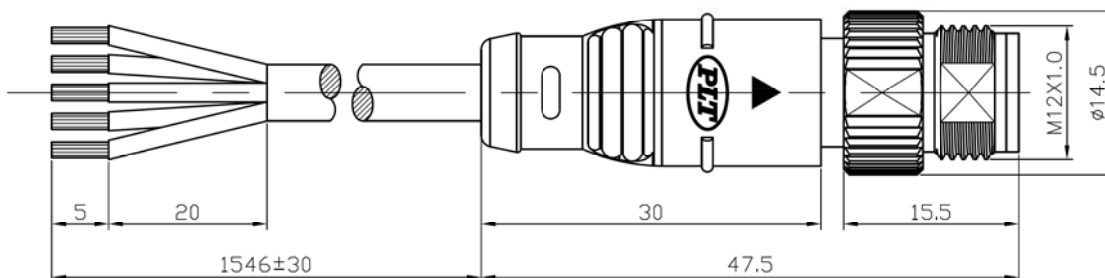


No. of contacts 接點數目	2	3	4	5		
Contacts Configuration 接點方位						
Rated current / voltage 額定電流/電壓	1A 100V	1A 100V	1A 100V	1A 100V		
Withstanding voltage (AC.V.rms) 1 minute 耐電壓1分鐘	AC 300V DC 500V	AC 300V DC 500V	AC 300V DC 500V	AC 300V DC 500V		
Insulation resistance (MΩ MIN.) at DC 500V 絕緣阻抗	200	200	200	200		
Contact resistance (mΩ MAX.) at DC 1A 接觸阻抗	3	3	3	3		
Solder inter diameter 焊孔內徑	0.9	0.9	0.9	0.9		

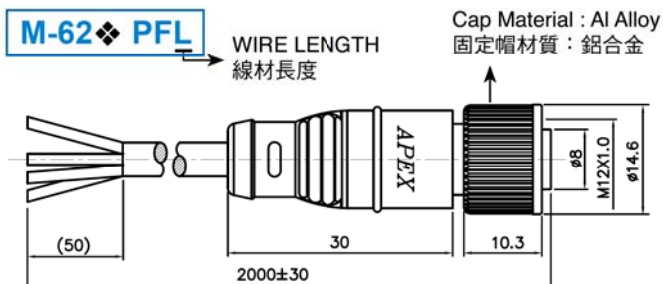


M-D62 ❖ PF

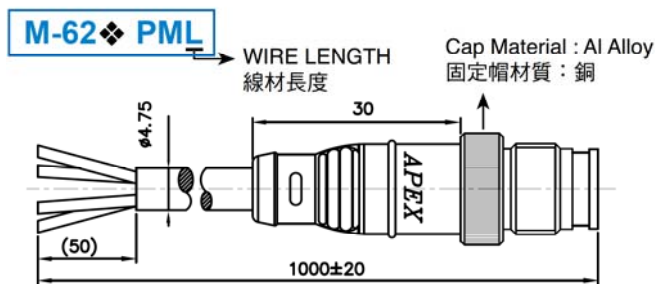
SHELL: ZINC DIE-CASTING (鋅合金壓鑄)



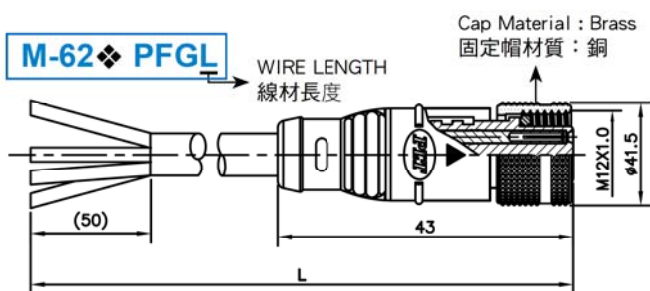
❖ No. of contacts 接點數目	4					
Contacts Configuration 接點方位						
Rated current / voltage 額定電流 / 電壓	3A-125V MAX. 5ma-5V MIN.					
Withstanding voltage (AC.V.rms) 1 minute 耐電壓1分鐘	1000					
Insulation resistance (MΩ MIN.) at DC 500V 絕緣阻抗	100					



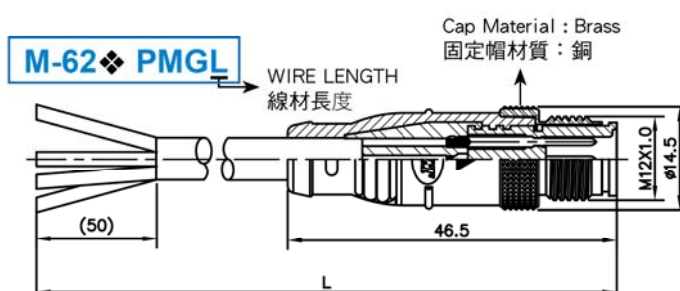
L	WIRE LENGTH
1	1M
2	2M
3	3M
4	4M
5	5M



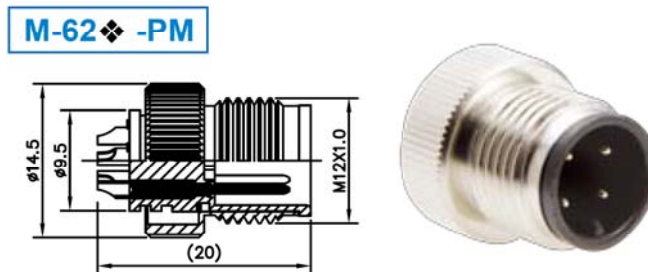
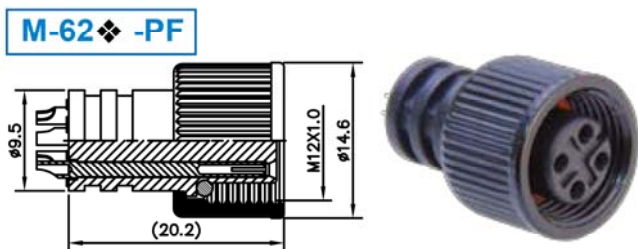
L	WIRE LENGTH
1	1M
2	2M
3	3M
4	4M
5	5M



L	WIRE LENGTH
1	1M
2	2M
3	3M
4	4M
5	5M

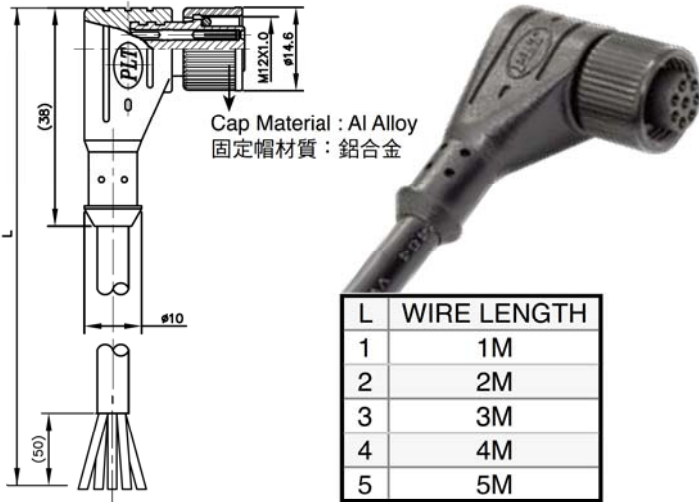


L	WIRE LENGTH
1	1M
2	2M
3	3M
4	4M
5	5M

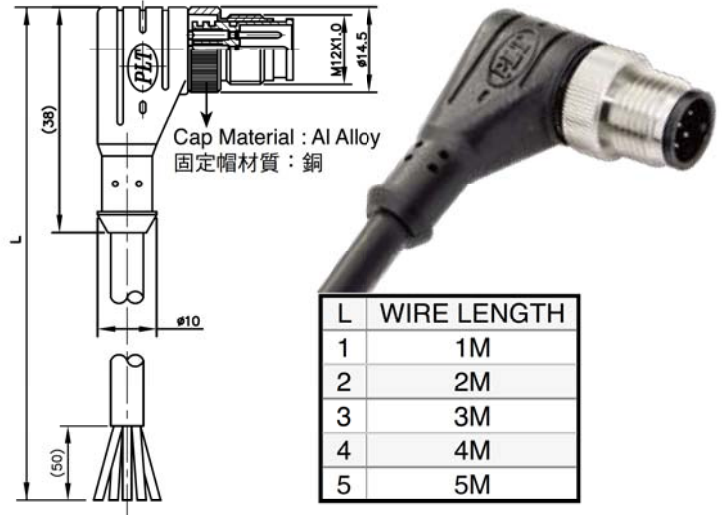


◆ No. of contacts 接點數目	3	4	5	6	8
Contacts Configuration 接點方位					
Rated current / voltage 額定電流 / 電壓	3A-125V MAX. 5ma-5V MIN.	3A-125V MAX. 5ma-5V MIN.	3A-125V MAX. 5ma-5V MIN.	3A-125V MAX. 5ma-5V MIN.	3A-125V MAX. 5ma-5V MIN.
Withstanding voltage (AC.V.rms) 1 minute 耐電壓1分鐘	300	300	300	300	300
Contact resistance (mΩ MAX.) at DC 1A 接觸阻抗	3	3	3	3	3

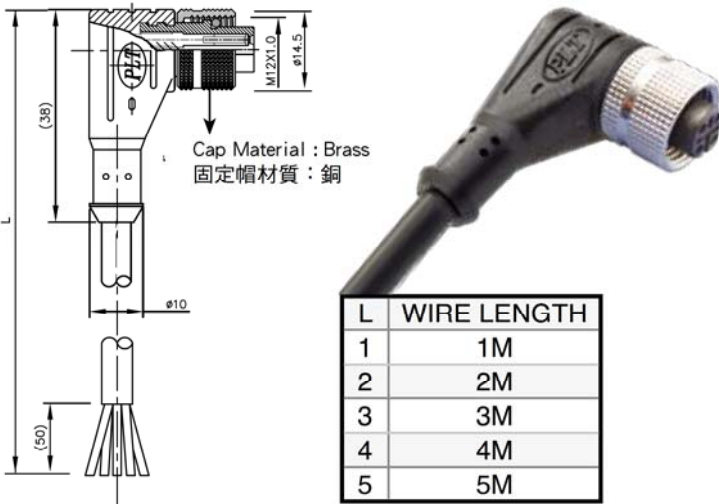
M-62 LPFL WIRE LENGTH 線材長度



M-62 LPML WIRE LENGTH 線材長度



M-62 A-LPFL WIRE LENGTH 線材長度



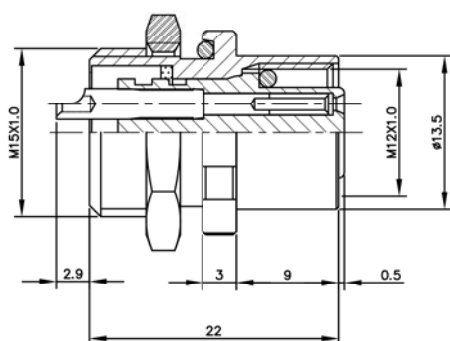
M-62 A-LPML WIRE LENGTH 線材長度



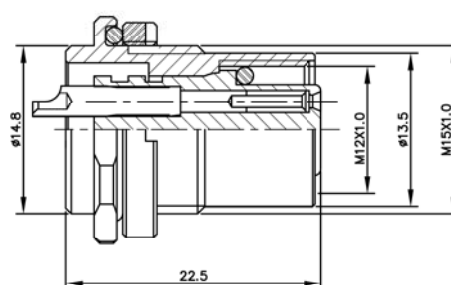
❖ No. of contacts 接點數目	3	4	5	6	8
Contacts Configuration 接點方位					
Rated current / voltage 額定電流/電壓	3A-125V MAX. 5ma-5V MIN.	3A-125V MAX. 5ma-5V MIN.	3A-125V MAX. 5ma-5V MIN.	3A-125V MAX. 5ma-5V MIN.	3A-125V MAX. 5ma-5V MIN.
Withstanding voltage (AC.V.rms) 1 minute 耐電壓1分鐘	300	300	300	300	1500
Insulation resistance (MΩ MIN.) at DC 500V 絕緣阻抗	100	100	100	100	100
Contact resistance (mΩ MAX.) at DC 1A 接觸阻抗	3	3	3	3	3
Solder inter diameter 焊孔內徑	1.0	1.0	1.0	1.0	1.0



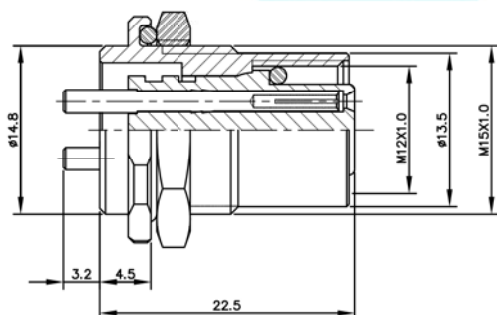
M-62 -RF



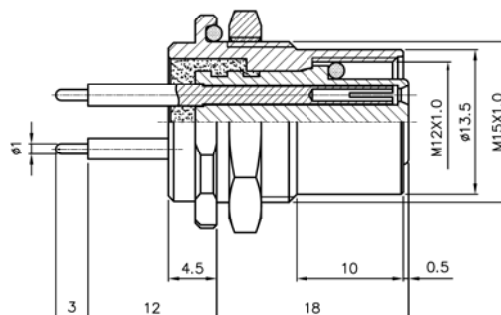
M-62 -RFA



M-62 -RFB



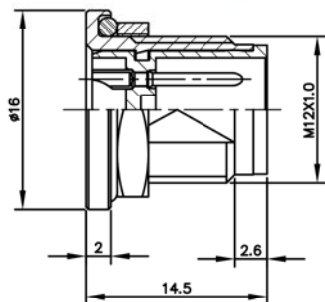
M-62 -RFC



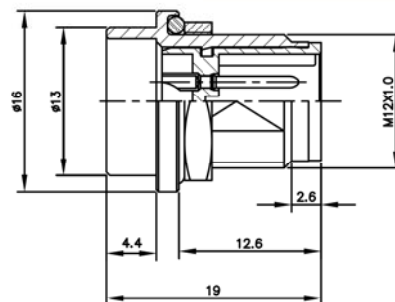
❖ No. of contacts 接點數目	3	4	5	6	8
Contacts Configuration 接點方位					
Rated current / voltage 額定電流 / 電壓	3A-125V MAX. 5ma-5V MIN.	3A-125V MAX. 5ma-5V MIN.	3A-125V MAX. 5ma-5V MIN.	3A-125V MAX. 5ma-5V MIN.	3A-125V MAX. 5ma-5V MIN.
Withstanding voltage (AC.V.rms) 1 minute 耐電壓1分鐘	1500	1500	1500	1500	1500
Insulation resistance (MΩ MIN.) at DC 500V 絕緣阻抗	100	100	100	100	100
Contact resistance (mΩ MAX.) at DC 1A 接觸阻抗	3	3	3	3	3
Solder inter diameter 焊孔內徑	1.0	1.0	1.0	1.0	1.0



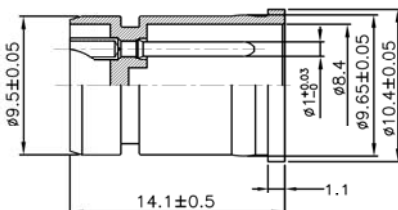
M-62 ❖ -RM



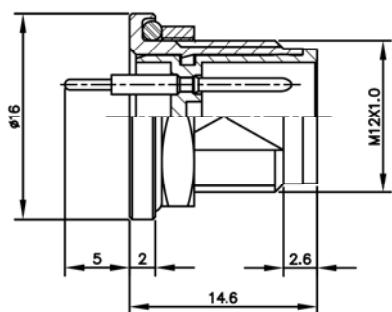
M-62 ❖ -RMA



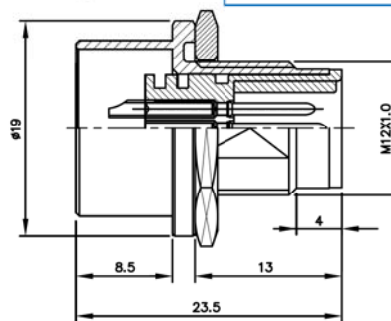
M-62 ❖ -GP



M-62 ❖ -RMB



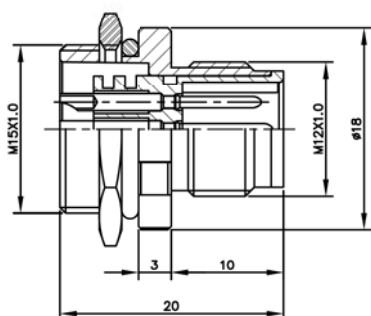
M-62 ❖ -RMC



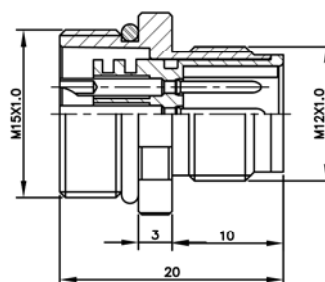
❖ No. of contacts 接點數目	3	4	5	6	8
Contacts Configuration 接點方位					
Rated current / voltage 額定電流/電壓	3A-125V MAX. 5ma-5V MIN.	3A-125V MAX. 5ma-5V MIN.	3A-125V MAX. 5ma-5V MIN.	3A-125V MAX. 5ma-5V MIN.	3A-125V MAX. 5ma-5V MIN.
Withstanding voltage (AC.V.rms) 1 minute 耐電壓1分鐘	1500	1500	1500	1500	1500
Insulation resistance (MΩ MIN.) at DC 500V 絕緣阻抗	100	100	100	100	100
Contact resistance (mΩ MAX.) at DC 1A 接觸阻抗	3	3	3	3	3
Solder inter diameter 焊孔內徑	1.0	1.0	1.0	1.0	1.0



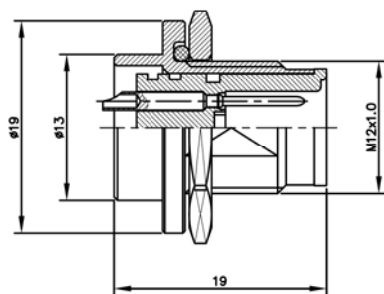
M-62 ❖ -RMD



M-62 ❖ -RME

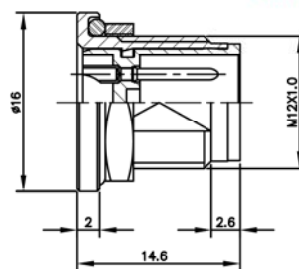


M-62 ❖ -RMH



M-62 ❖ -RMS

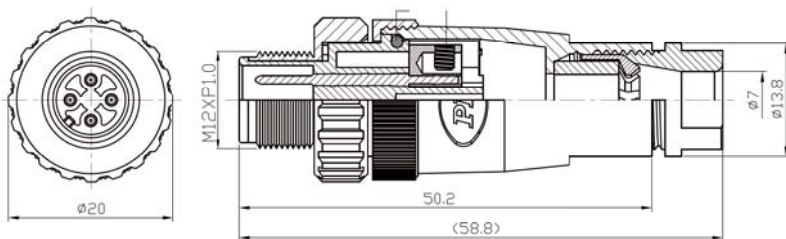
SHELL: STAINLESS STEEL
(不鏽鋼)



❖ No. of contacts 接點數目	3	4	5	6	8
Contacts Configuration 接點方位					
Rated current / voltage 額定電流 / 電壓	3A-125V MAX. 5ma-5V MIN.	3A-125V MAX. 5ma-5V MIN.	3A-125V MAX. 5ma-5V MIN.	3A-125V MAX. 5ma-5V MIN.	3A-125V MAX. 5ma-5V MIN.
Withstanding voltage (AC.V.rms) 1 minute 耐電壓1分鐘	1500	1500	1500	1500	1500
Insulation resistance (MΩ MIN.) at DC 500V 絕緣阻抗	100	100	100	100	100
Contact resistance (mΩ MAX.) at DC 1A 接觸阻抗	3	3	3	3	3
Solder inter diameter 焊孔內徑	1.0	1.0	1.0	1.0	1.0



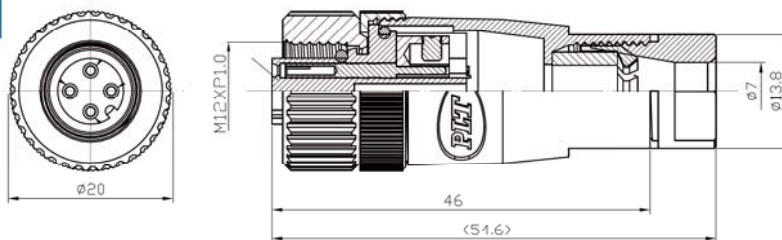
M-62 ❖ **SP-PM-R**



PM

PF

M-62 ❖ **SP-PF-R**



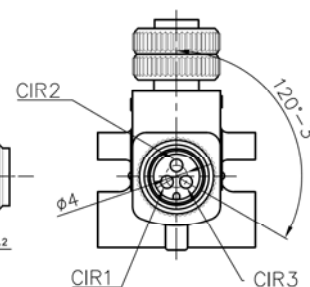
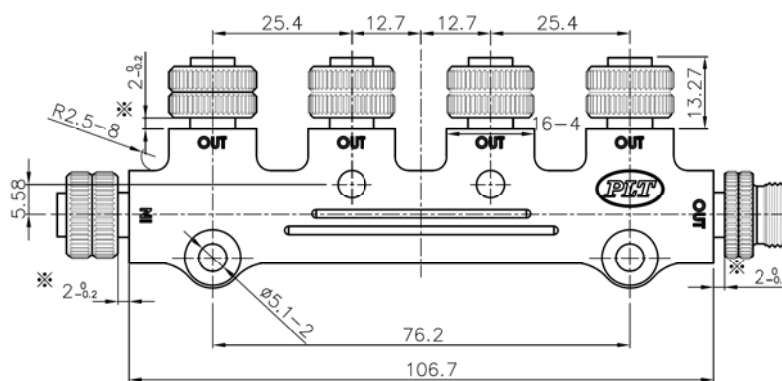
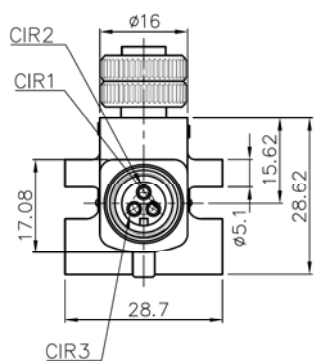
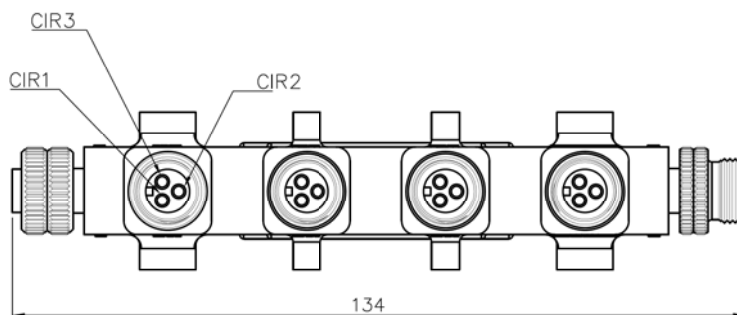
❖ No. of contacts 接點數目	4	5	6	8		
Contacts Configuration 接點方位						
Rated current / voltage 額定電流/電壓	3A-125V MAX. 5ma-5V MIN.	3A-125V MAX. 5ma-5V MIN.	3A-125V MAX. 5ma-5V MIN.	3A-125V MAX. 5ma-5V MIN.		
Withstanding voltage (AC.V.rms) 1 minute 耐電壓1分鐘	1500	1500	1500	1500		
Insulation resistance (MΩ MIN.) at DC 500V 絕緣阻抗	100	100	100	100		
Contact resistance (mΩ MAX.) at DC 1A 接觸阻抗	3	3	3	3		
Solder inter diameter 焊孔內徑	1.0	1.0	1.0	1.0		



M-623T5-ADP-R



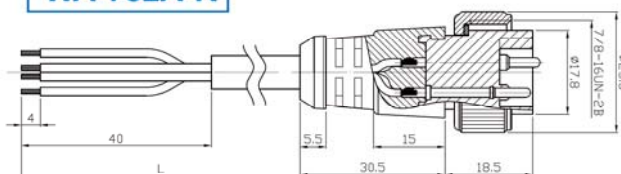
Switching Power Supply
可調式電源供應器



Items	Electrical specifications
Withstanding voltage (AC.V.rms) 1 minute 耐電壓1分鐘	300
Insulation resistance (MΩ MIN.) at DC 500V 絕緣阻抗	100

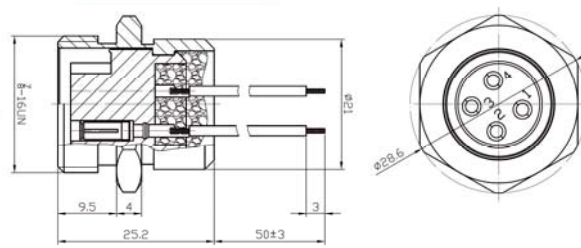


WA-782A-R



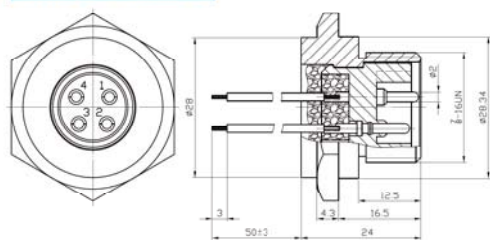
PM

M-654-RFO



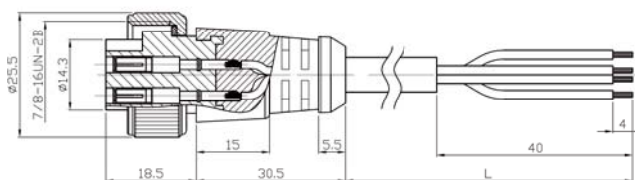
RF

M-654-RML



RM

WA-783A-R



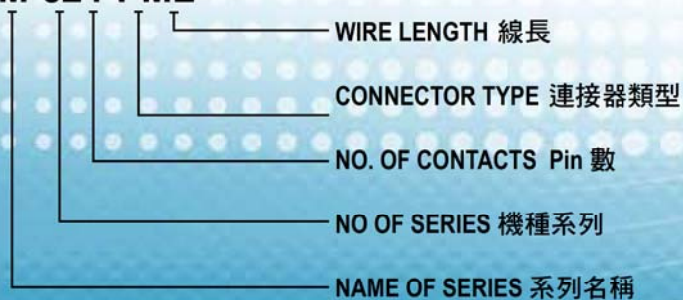
PF

No. of contacts 接點數目	4	5	
Contacts Configuration 接點方位			
Rated current / voltage 額定電流 / 電壓	AC/DC 5V-5mA min. AC/DC 600V-9A max.	AC/DC 5V-5mA min. AC/DC 600V-9A max.	
Withstanding voltage (AC.V.rms) 1 minute 耐電壓1分鐘	100	100	
Insulation resistance (MΩ MIN.) at DC 500V 絕緣阻抗	1000	1000	
Contact resistance (mΩ MAX.) at DC 1A 接觸阻抗	100	100	



ORDERING INFORMATION

M-624-PML



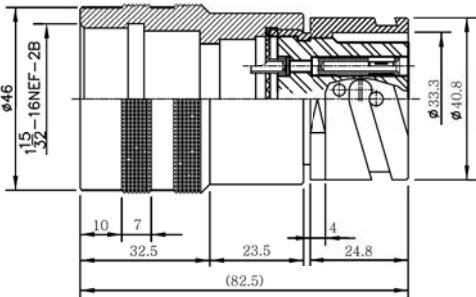
P:PLUG	R:Receptacle	F:Female	M:Male
插頭	插座	導梢	導針

WPS/WPM/PLS/WA series

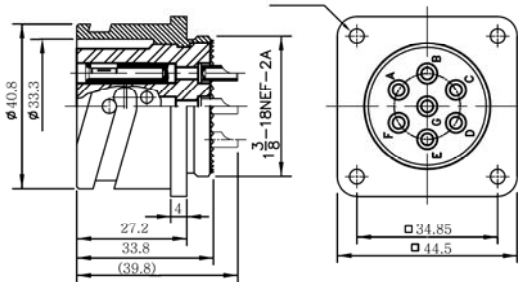
AMS series



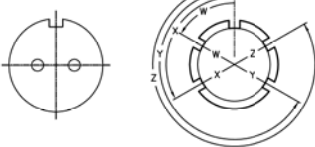
WPS-2407-LF



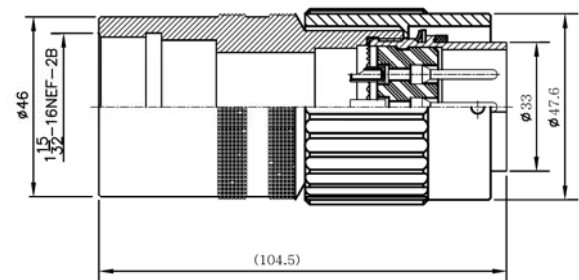
WPS-2407-SF



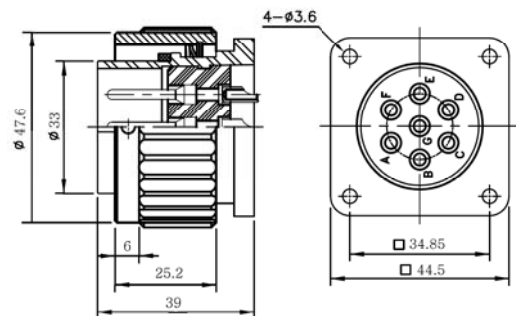
Standard Position



WPS-2407-LM



WPS-2407-SM

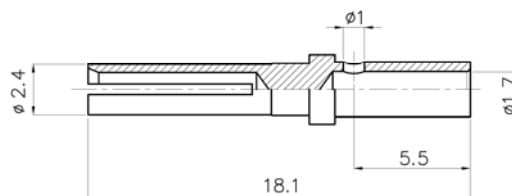
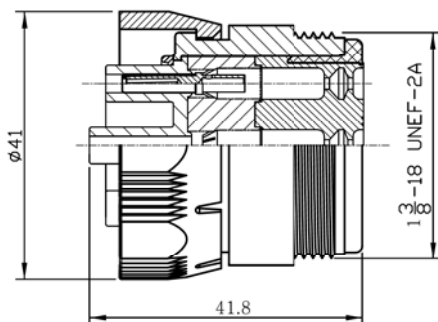
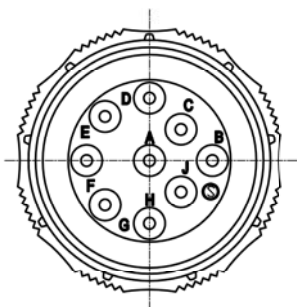


In contrast with the standard inserted position. After the guide key of its shell has formed into certain angle, the position changed shall be indicated by the marks W,X,Y,Z. According to the layout of connector, there is difference on the changable angles. Please refer to the instructions of the said table. Furthermore, what the figure has shown is observed from the joining part of the pins.

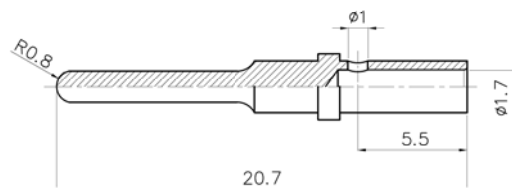
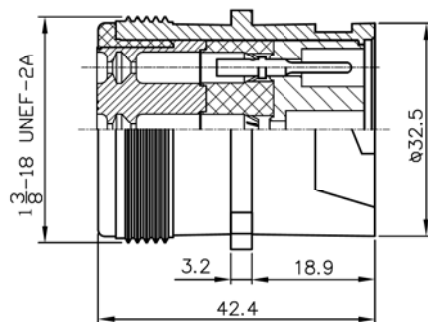
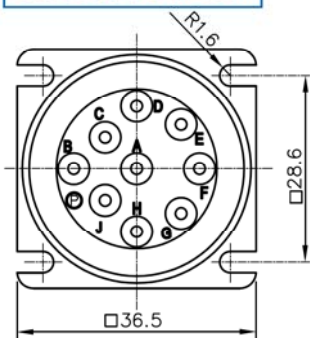
No. ELECTRICAL SPECIFICATION	
Operation voltage (v)	* DC 700 * AC(rms):500
Withstanding voltage	AC 2000V one minute
Test current	22 Amperes
Insulation resistance	5000MΩ min. at DC 500V



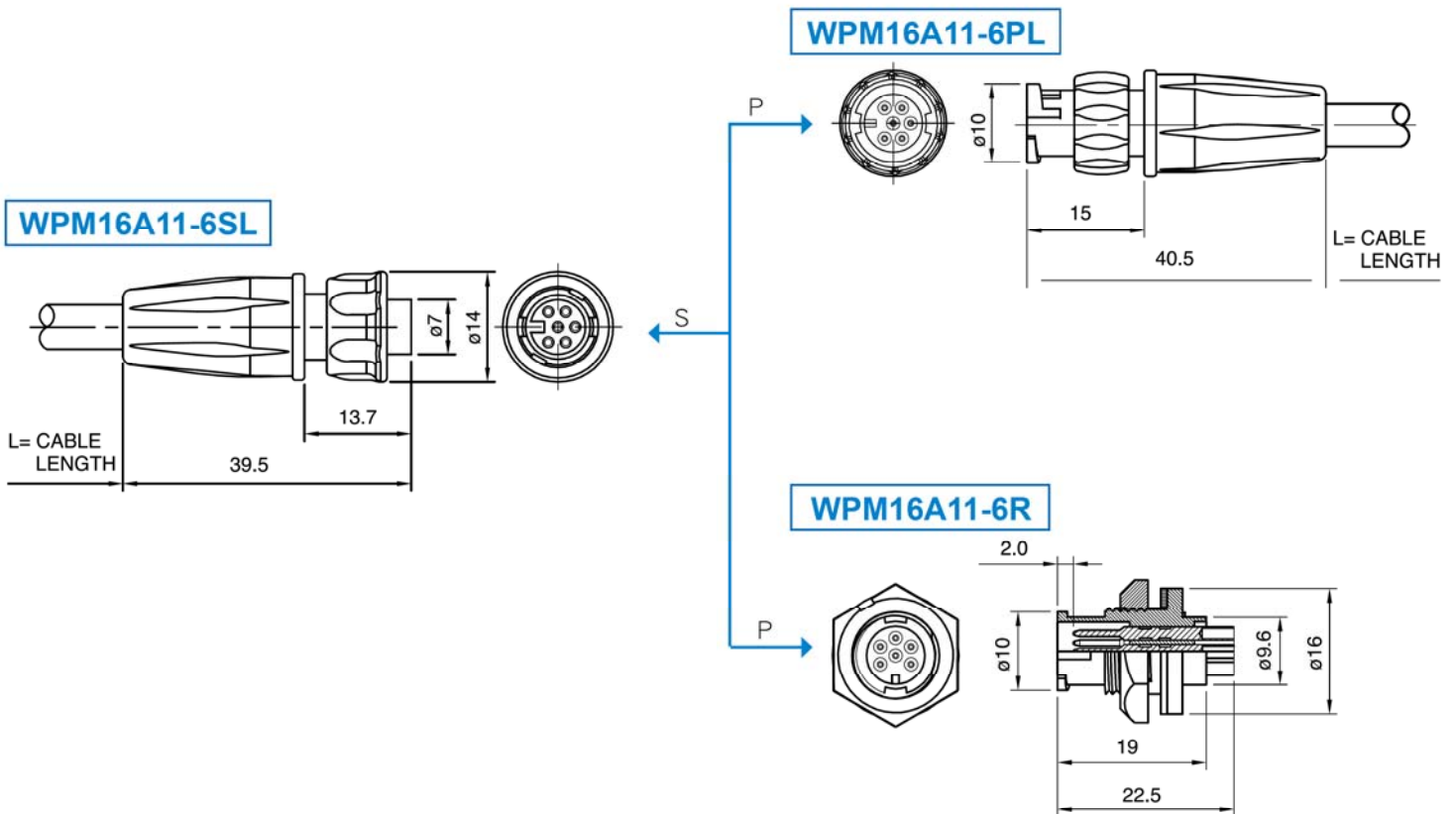
WPM06B-9-16S



WPM02A-9-16P



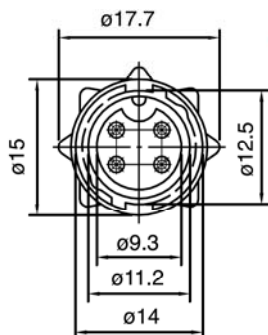
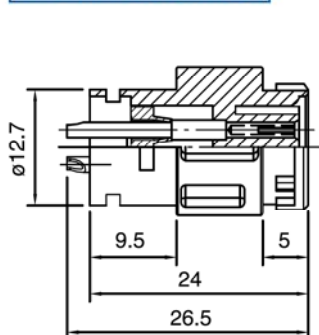
◆ No. of contacts 接點數目	9				
Contacts Configuration 接點方位					
Rated current / voltage 額定電流 / 電壓	13A 250V				
Operation limit voltage (AC.V.rms) 操作電壓限制	250				
Withstanding voltage (AC.V.rms) 1 minute 耐電壓1分鐘	2000				
Insulation resistance (MΩ MIN.) at DC 500V 絕緣阻抗	5000				
Contact resistance (mΩ MAX.) at DC 1A 接觸阻抗	3				
Solder inter diameter 焊孔內徑	1.7				



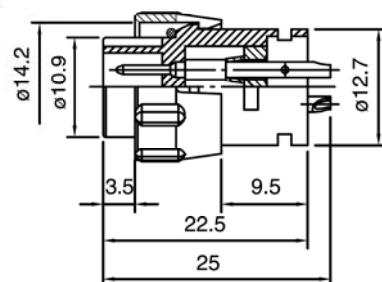
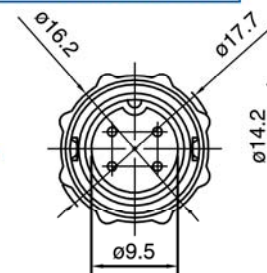
❖ No. Electrical Specification	6		
Contacts Configuration 接點方位			
Rated current / voltage 額定電流/電壓	3A 125V		
Insulation resistance (MΩ MIN.) at DC 500V 絕緣阻抗	≥ 100M Ω at DC 500V		
Current rating	≥ 100V, 2A		
Withstanding voltage (AC.V.rms) 1 minute 耐電壓1分鐘	≥ AC300V / 1 minute		



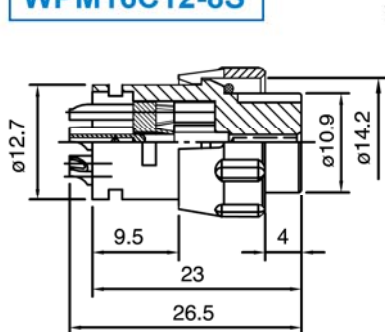
WPM16C12-4S



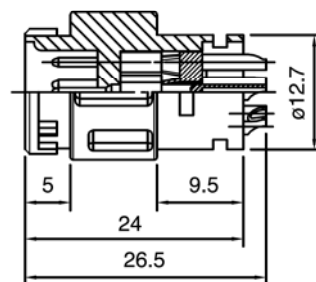
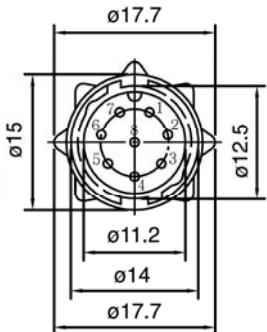
WPM16C12-4P



WPM16C12-8S



WPM16C12-8P

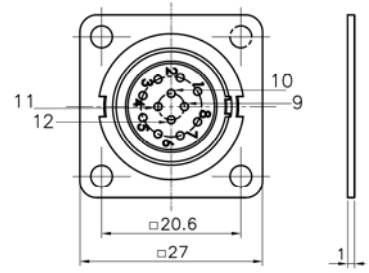
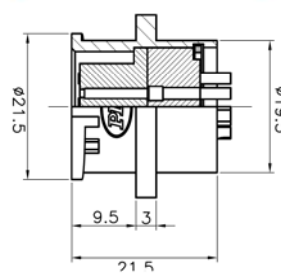
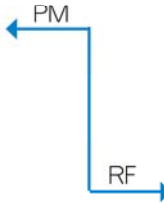
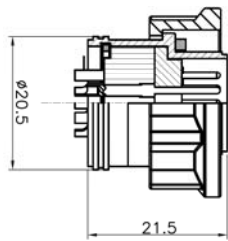
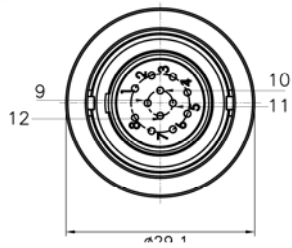


◆ No. Electrical Specification	4	8			
Contacts Configuration 接點方位					
Rated current / voltage 額定電流/電壓	3A 125V	3A 125V			
Withstanding voltage (AC.V.rms) 1 minute 耐電壓1分鐘	1000	1000			
Insulation resistance (MΩ MIN.) at DC 500V 絕緣阻抗	100 MΩ	100 MΩ			
Contact resistance (mΩ MAX.) at DC 1A 接觸阻抗	3	3			



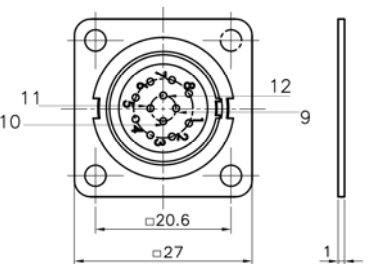
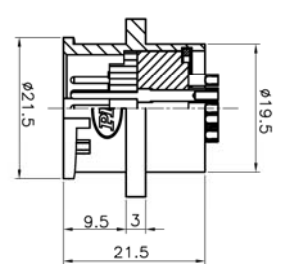
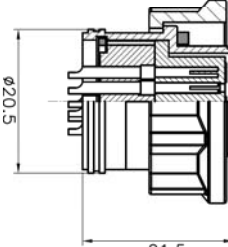
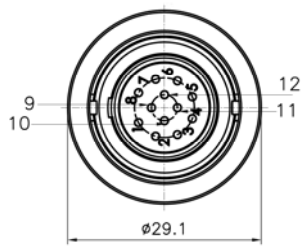
WPM-19-PM

WPM-19-RF

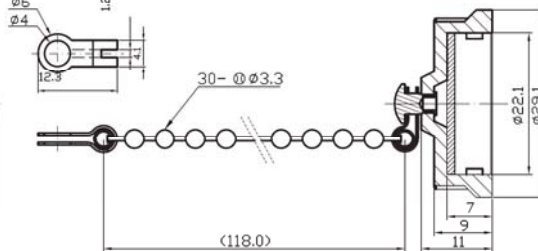
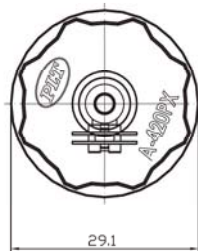


WPM-19-PF

WPM-19-RM



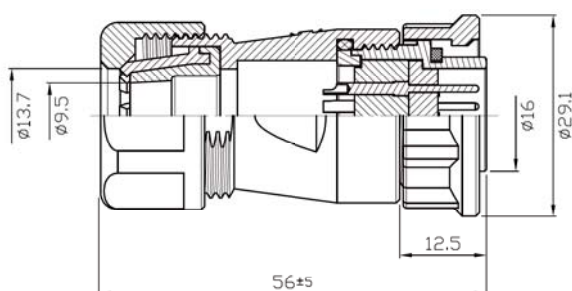
WPM-19-RCa



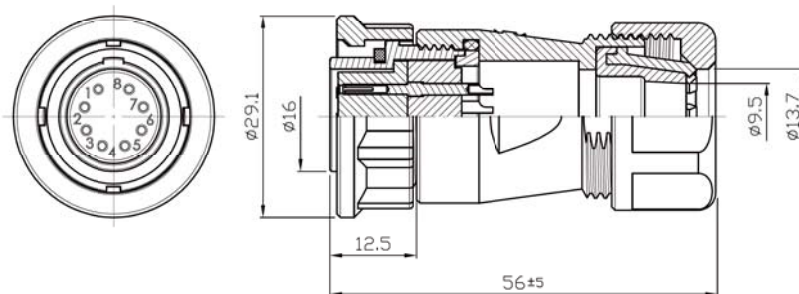
No. of contacts 接點數目	8	12			
Contacts					
Configuration 接點方位					
Rated current / voltage 額定電流/電壓	5A 125V	5A 125V			
limit voltage (AC.V.rms) 操作電壓限制	125	125			
Withstanding voltage (AC.V.rms) 1 minute 耐電壓1分鐘	300	300			
Insulation resistance (MΩ MIN.) at DC 500V 絕緣阻抗	1000	1000			
Contact resistance (mΩ MAX.) at DC 1A 接觸阻抗	3	3			
Solder inter diameter 焊孔內徑	1.2	1.2			



WPM-19-SPM



WPM-19-SPF

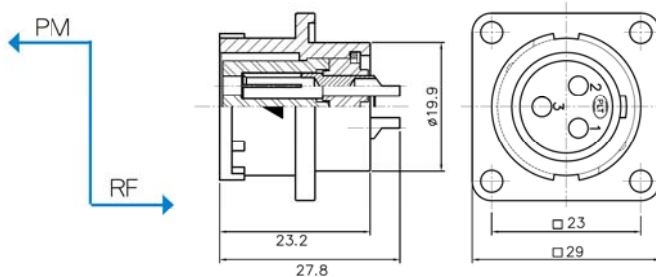
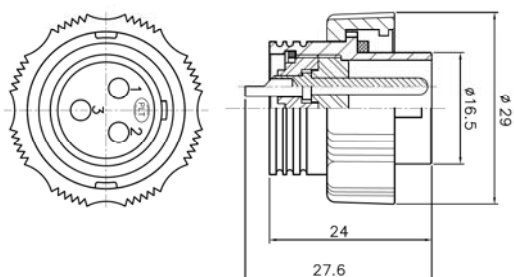


No. of contacts 接點數目	8	12				
Contacts						
Configuration 接點方位						
Rated current / voltage 額定電流/電壓	5A 125V	5A 125V				
Operation limit voltage (AC.V.rms) 操作電壓限制	125	125				
Withstanding voltage (AC.V.rms) 1 minute 耐電壓1分鐘	300	300				
Insulation resistance (MΩ MIN.) at DC 500V 絕緣阻抗	1000	1000				
Contact resistance (mΩ MAX.) at DC 1A 接觸阻抗	3	3				
Solder inter diameter 焊孔內徑	1.2	1.2				



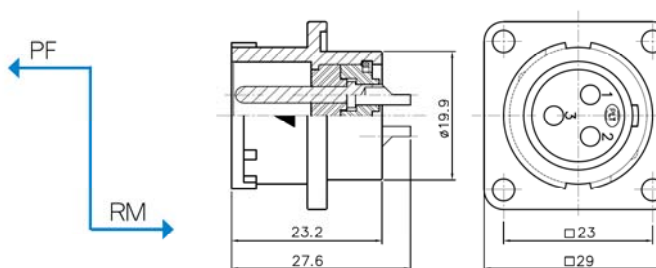
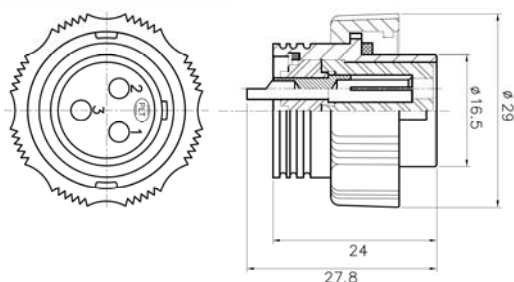
WPM-20-PM

WPM-20-RF

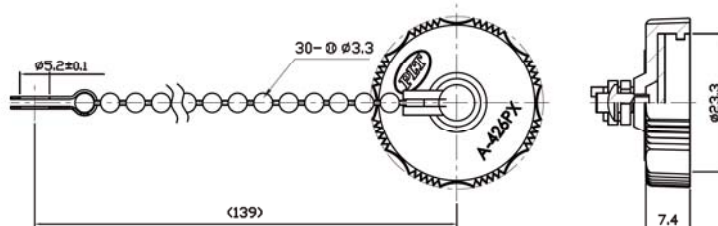


WPM-20-PF

WPM-20-RM



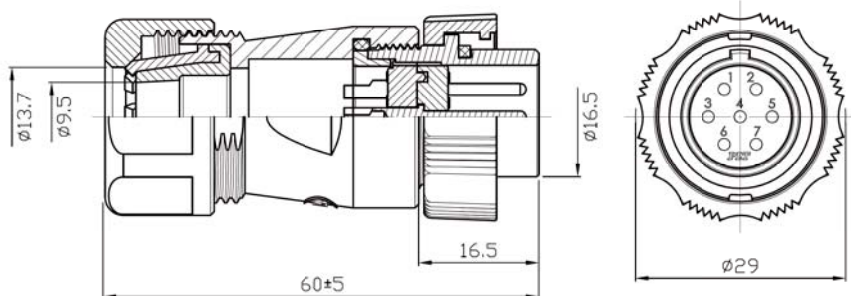
WPM-20-RCa-R



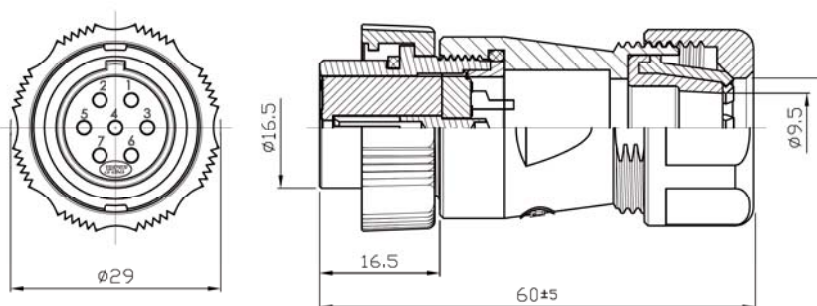
No. of contacts 接點數目	2	3	4	7		
Contacts						
Configuration 接點方位						
Rated current / voltage 額定電流 / 電壓	15A 250V	15A 250V	15A 250V	15A 250V		
Operation limit voltage (AC.V.rms) 操作電壓限制	250	250	250	250		
Withstanding voltage (AC.V.rms) 1 minute 耐電壓1分鐘	1500	1500	1500	1000		
Insulation resistance (MΩ MIN.) at DC 500V 絕緣阻抗	2000	2000	2000	2000		
Contact resistance (mΩ MAX.) at DC 1A 接觸阻抗	3	3	3	3		
Solder inter diameter 焊孔內徑	1.8	1.8	1.6	1.6		



WPM-20◆-SPM



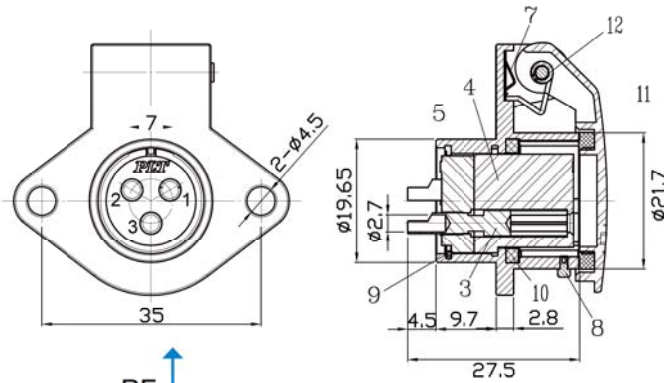
WPM-20◆-SPF



No. of contacts 接點數目	2	3	4	7		
Contacts						
Configuration 接點方位						
Rated current / voltage 額定電流/電壓	15A 250V	15A 250V	15A 250V	15A 250V		
Operation limit voltage (AC.V.rms) 操作電壓限制	250	250	250	250		
Withstanding voltage (AC.V.rms) 1 minute 耐電壓1分鐘	1500	1500	1500	1500		
Insulation resistance (M Ω MIN.) at DC 500V 絕緣阻抗	2000	2000	2000	2000		
Contact resistance (m Ω MAX.) at DC 1A 接觸阻抗	3	3	3	3		
Solder inter diameter 焊孔內徑	1.8	1.8	1.6	1.6		



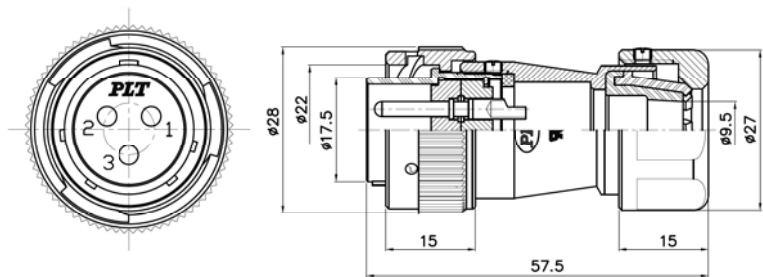
WPM-21-RF



RF

PM

WPM-21-PM

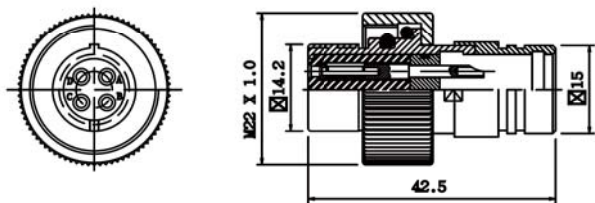


No. of contacts 接點數目	3					
Contacts Configuration 接點方位						
Rated current / voltage 額定電流/電壓	15A 250V					
Operation limit voltage (AC.V.rms) 操作電壓限制	250					
Withstanding voltage (AC.V.rms) 1 minute 耐電壓1分鐘	1500					
Insulation resistance (MΩ MIN.) at DC 500V 絕緣阻抗	2000					
Contact resistance (mΩ MAX.) at DC 1A 接觸阻抗	3					

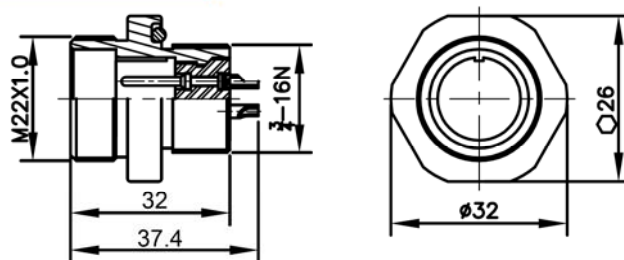
SHELL: STAINLESS STEEL
(不鏽鋼)



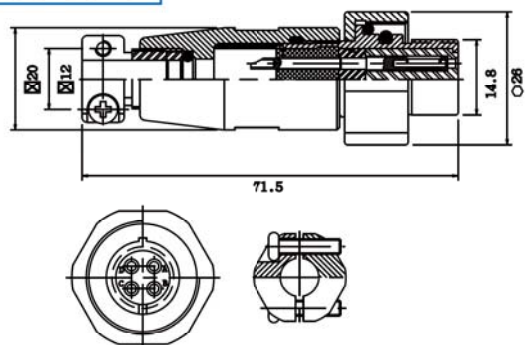
WPM-21 ❖ **-PL**



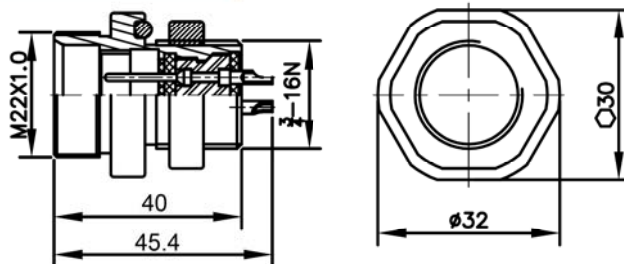
WPM-21 ❖ **-R**



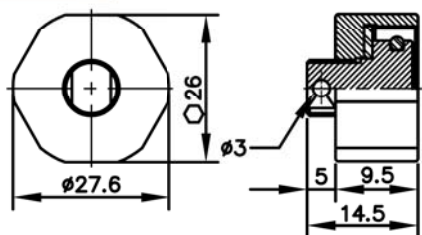
WPM-21 ❖ **-P**



WPM-21 ❖ **-RA**



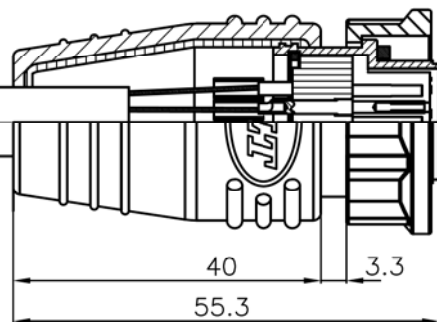
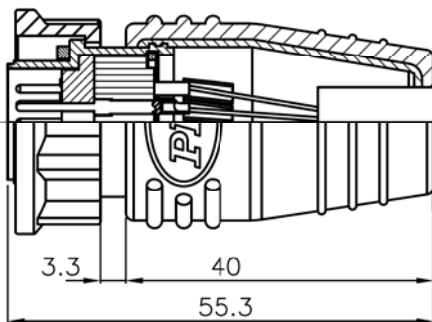
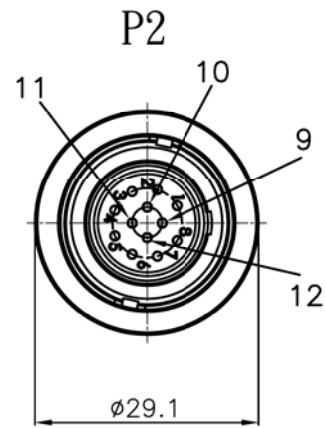
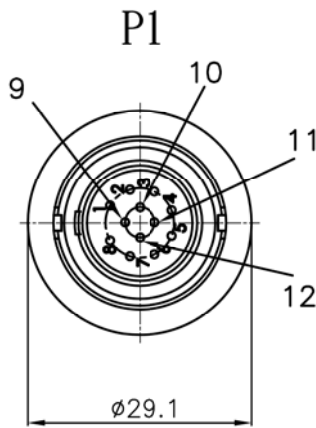
WPM-21 ❖ **-RCa**



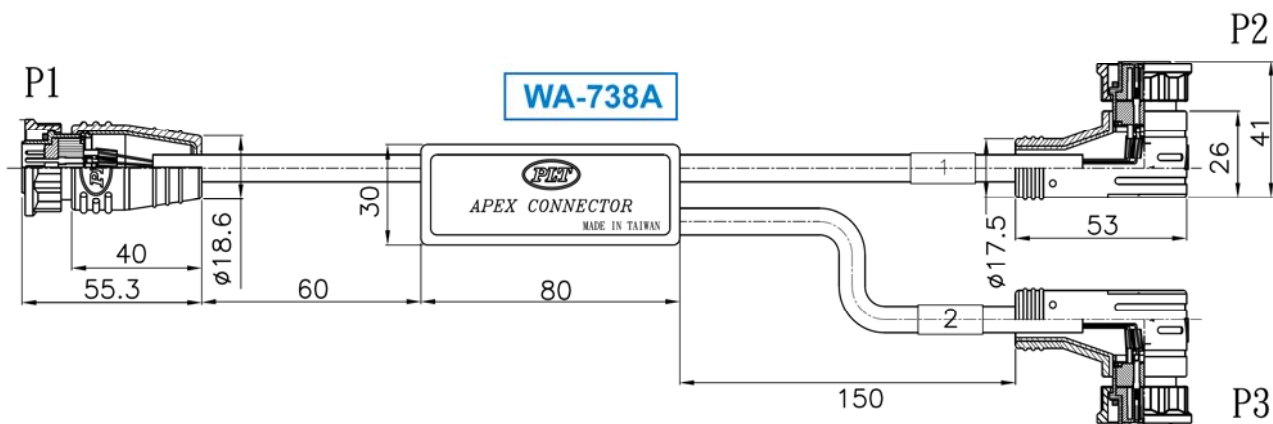
❖ No. of contacts 接點數目	4					
Contacts Configuration 接點方位						
Rated current / voltage 額定電流 / 電壓	10A 100V					
Operation limit voltage (AC.V.rms) 操作電壓限制	100					
Insulation resistance (MΩ MIN.) at DC 500V 絕緣阻抗	200					
Contact resistance (MΩ MAX.) at DC 1A 接觸阻抗	3					
Solder inter diameter 焊孔內徑	1.5					



WA-715A



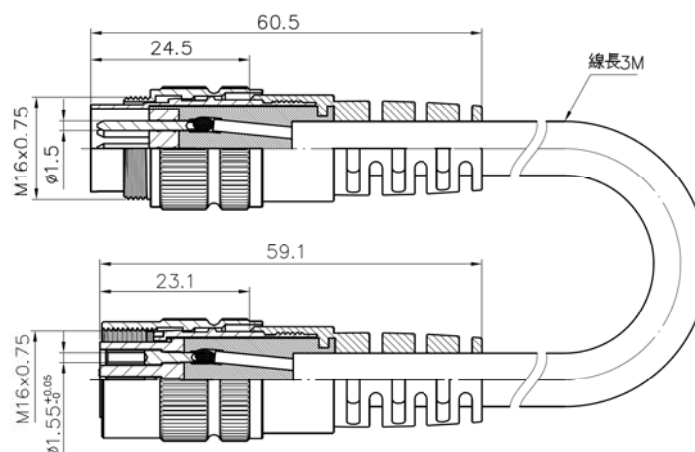
◆ No. Electrical Specification	P1	P2
Contacts Configuration 接點方位		
Withstanding voltage (AC.V.rms) 1 minute 耐電壓1分鐘	$\geq 100\text{M}\Omega$ at DC 500V	$\geq 100\text{M}\Omega$ at DC 500V
Insulation resistance (M Ω MIN.) at DC 500V 絕緣阻抗	$\geq 300\text{V} / 1\text{Minute}$	$\geq 300\text{V} / 1\text{Minute}$



❖ No. Electrical Specification	P1	P2
Contacts Configuration 接點方位		
Withstanding voltage (AC.V.rms) 1 minute 耐電壓1分鐘	$\geq 100\text{M}\Omega$ at DC 500V	$\geq 100\text{M}\Omega$ at DC 500V
Insulation resistance (M Ω MIN.) at DC 500V 絕緣阻抗	$\geq 300\text{V} / 1\text{Minute}$	$\geq 300\text{V} / 1\text{Minute}$



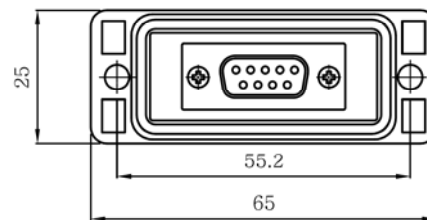
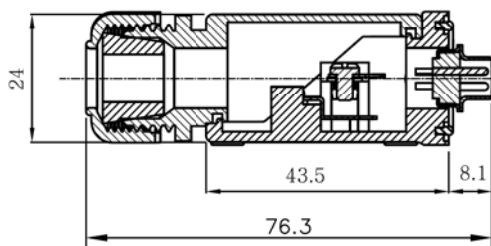
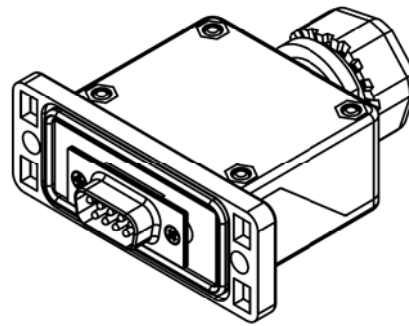
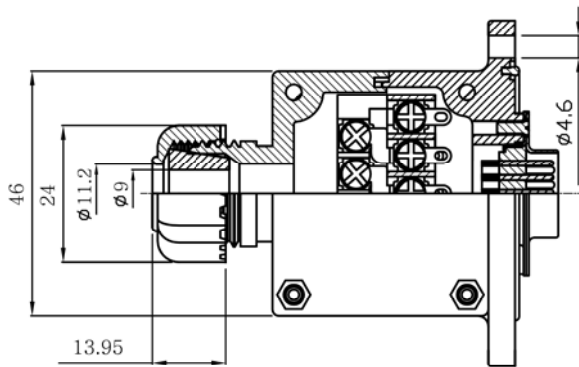
WA-188A



❖ No. of contacts 接點數目	8					
Contacts Configuration 接點方位						
Rated current / voltage 額定電流/電壓	5A 60V					
Withstanding voltage (AC.V.rms) 1 minute 耐電壓1分鐘	300					
Insulation resistance (M Ω MIN.) at DC 500V 絕緣阻抗	100					



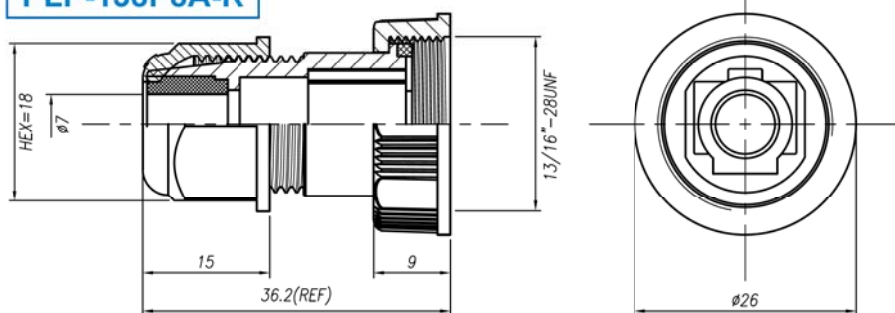
PLP-123-P9



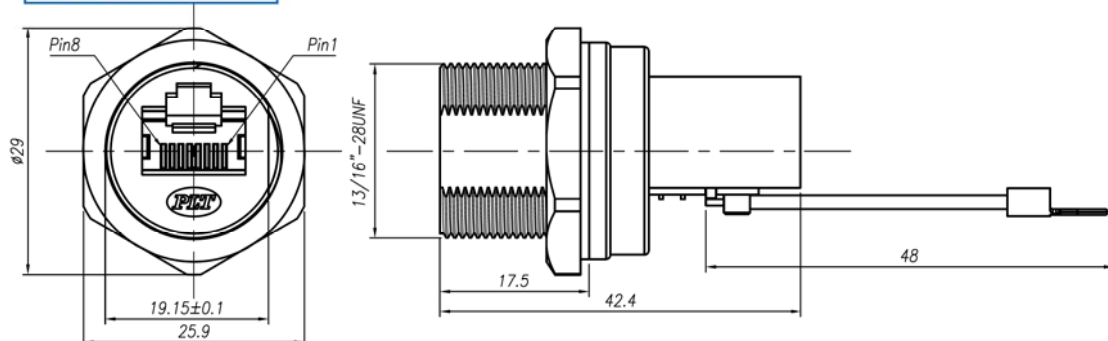
◆ No. of contacts 接點數目	9	15	
Contacts Configuration 接點方位			
Rated current / voltage 額定電流/電壓	3A / AC 350V.	3A / AC 350V.	
Operation limit voltage (AC.V.rms) 操作電壓限制			
Withstanding voltage (AC.V.rms) 1 minute 耐電壓1分鐘	1250	1250	
Insulation resistance (MΩ MIN.) at DC 500V 絕緣阻抗	5000	5000	
Contact resistance (mΩ MAX.) at DC 1A 接觸阻抗	25	25	



PLP-138P8A-R



PLP-138R8A-R

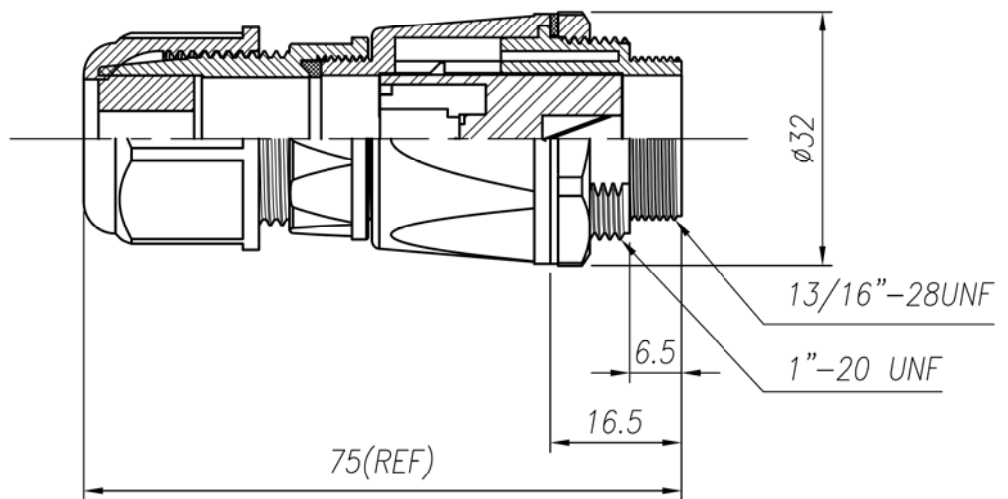


ELECTRICAL SPECIFICATION

Rated current / voltage	AC / DC 5V-5mA min. AC / DC 125V-3A max.
Insulation resistance	500M Ω min. at DC 500V
Withstanding voltage	AC 300V for 1 minute



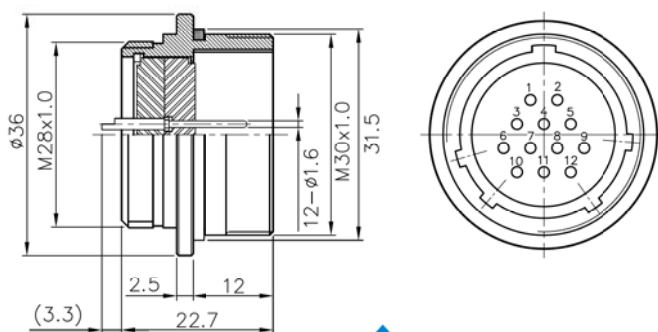
PLP-138AD8A-R



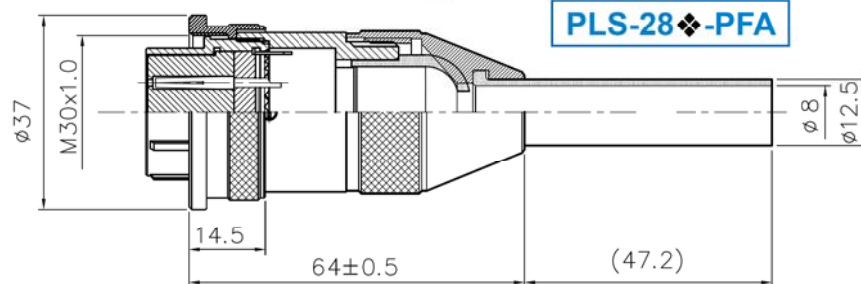
ELECTRICAL SPECIFICATION	
Rated current / voltage	AC / DC 5V-5mA min. AC / DC 125V-3A max.
Insulation resistance	500MΩ min. at DC 500V
Withstanding voltage	AC 300V for 1 minute



PLS-28-RMA



PLS-28-PFA

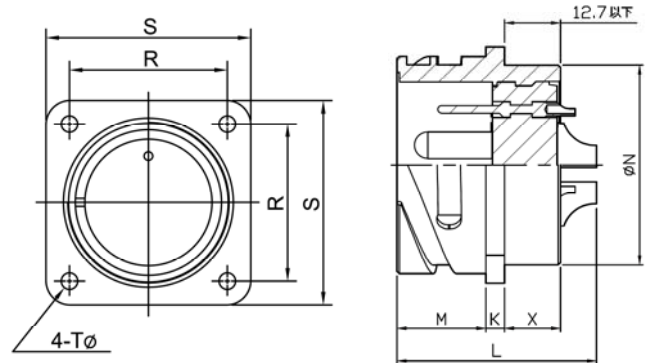


SHELL: STAINLESS STEEL
(不鏽鋼)

No. of contacts 接點數目	12				
Contacts Configuration 接點方位					
Rated current / voltage 額定電流 / 電壓	10A 250V				
Operation limit voltage (AC.V.rms) 操作電壓限制	125				
Withstanding voltage (AC.V.rms) 1 minute 耐電壓1分鐘	300				
Insulation resistance (MΩ MIN.) at DC 500V 絕緣阻抗	1000				
Contact resistance (mΩ MAX.) at DC 1A 接觸阻抗	3				
Solder inter diameter 焊孔內徑	1.2				



AMS3102R

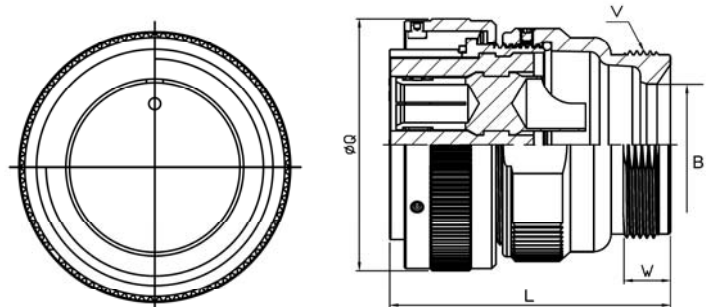


Shell size	Thickness of the assembly rim under K	Length L	Length of assembly rim M + 0.79 - 0	Outer radius of the terminal N + 0 - 4.78	Position of the holes reserved for assembly R ± 0.13	Length of the protruded sides S ± 0.79	Hole diameter of the assembly hole T + 0.25 - 0.13
24	3.0	33.4	20.62	38.91	34.92	44.45	3.73
28	3.0	33.4	20.62	45.26	39.67	50.80	3.73
32	4.3	33.4	22.22	51.26	44.45	57.15	4.39
36	4.3	33.4	22.22	57.96	49.23	63.50	4.39
48	4.3	33.2	22.22	77.90	66.68	82.55	4.39

NO. OF CONTACTS	5 CONTACT	6 CONTACT	2 CONTACT	8 CONTACT	6 CONTACT
SHELL SIZE					
INSERT ARRANGEMENT	24-12	28-22	32-5	32-15	36-3
NUMBER OF CONTACTS	#4x2 PIN(A.C) #12x3 PIN(B.D.E)	#4x3 PIN(A-C) #16x3 PIN(D-F)	#0x2 PIN	#0x2 PIN(A.G) #12x6 PIN(B-F.H)	#0x2 PIN(B.D.F) #12x3 PIN(A.C.E)
SERVICE RATING(ps.1)	A	D	D	D	D



AMS3106M



Shell size	Cable end B ± 0.3	Length L	Rear Threads V	Length of thread over
24	29.5	58.72	1-7/16-18UNEF-2A	9.5
28	29.8	58.72	1-7/16-18UNEF-2A	9.5
32	37.5	61.93	1-3/4-18UNEF-2A	11.1
36	43.8	61.93	2-18UNS-2A	12.7
48	69.1	65.07	3-16UN-2A	15.9

NO. OF CONTACTS	5 CONTACT	6 CONTACT	2 CONTACT	8 CONTACT	6 CONTACT
SHELL SIZE					
INSERT ARRANGEMENT	24-12	28-22	32-5	32-15	36-3
NUMBER OF CONTACTS	#4x2 PIN(A.C) #12x3 PIN(B.D.E)	#4x3 PIN(A-C) #16x3 PIN(D-F)	#0x2 PIN	#0x2 PIN(A.G) #12x6 PIN(B-F.H)	#0x2 PIN(B.D.F) #12x3 PIN(A.C.E)
SERVICE RATING(ps.1)	A	D	D	D	D



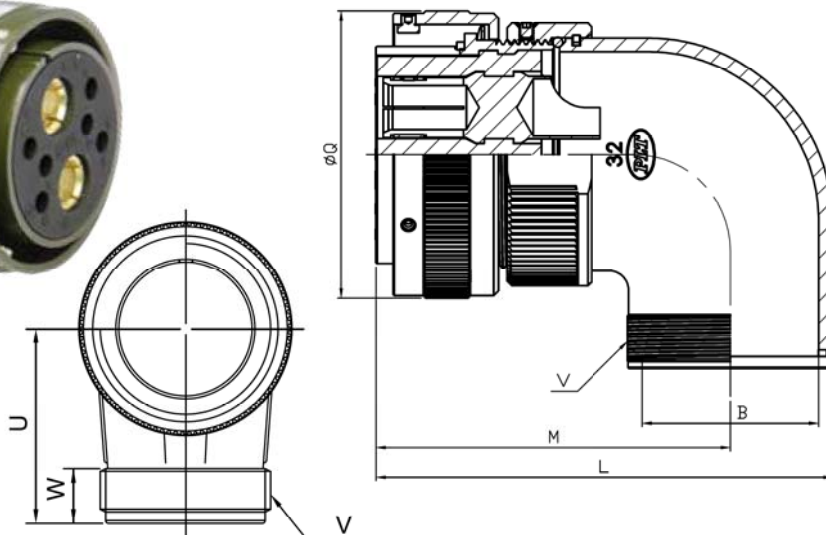
SINCE 1978
APEX CONNECTOR

www.plt.com.tw

AMS Series



AMS3108M



Shell size (ps.2)	Cable end B ± 0.3	Full length L	M ± 0.8	Outer radius Q ± 0.8	U ± 0.8	Rear Threads V	Length of thread over W
24	29.6 / 28.0	86.5	67.1	43.7	34.9	1-7/16-18UNEF-2A	9.5
28	29.8 / 28.2	86.5	67.1	50.0	38.5	1-7/16-18UNEF-2A	9.5
32	35.9	95.2	71.8	56.4	46.4	1-3/4-18UNEF-2A	11.1
36	42.7 / 42.2	100.0	73.4	62.7	51.2	2-18UNS-2A	12.7
48	69.1 / 65.9	125.4	86.5	81.8	59.1	3-16UN-2A	15.9

NO. OF CONTACTS	5 CONTACT	6 CONTACT	2 CONTACT	8 CONTACT	6 CONTACT
SHELL SIZE					
INSERT ARRANGEMENT	24-12	28-22	32-5	32-15	36-3
NUMBER OF CONTACTS	#4x2 PIN(A.C) #12x3 PIN(B.D.E)	#4x3 PIN(A-C) #16x3 PIN(D-F)	#0x2 PIN	#0x2 PIN(A.G) #12x6 PIN(B-F.H)	#0x2 PIN(B.D.F) #12x3 PIN(A.C.E)
SERVICE RATING(ps.1)	A	D	D	D	D

SERVICE RATING

Service Rating	Operating Voltage(V)	
	DC.V	AC.V(r.m.s.)
INST	250	200
A	700	500
D	1250	900
E	1750	12500
B	2450	1750
C	4200	3000

CONTACT CURRENT RATING

Contact Size	Test Current (Amperes)
#16	13
#12	23
#8	46
#4	80
#0	150

WIRE SIZE

Contact		
Size	Solder Hold	Wire Size A.W.G
#16	1.85 Ø	#16~#22
#12	2.95 Ø	#12~#14
#8	5.31 Ø	#8~#10
#4	8.45 Ø	#4~#6
#0	11.91 Ø	#0~#2

